

THIS DRAWING IS UNPUBLISHED.

RELEASED FOR PUBLICATION

-. - .

© COPYRIGHT - By -

ALL RIGHTS RESERVED.

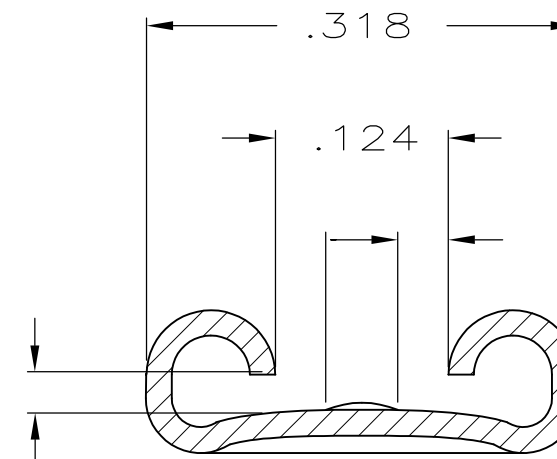
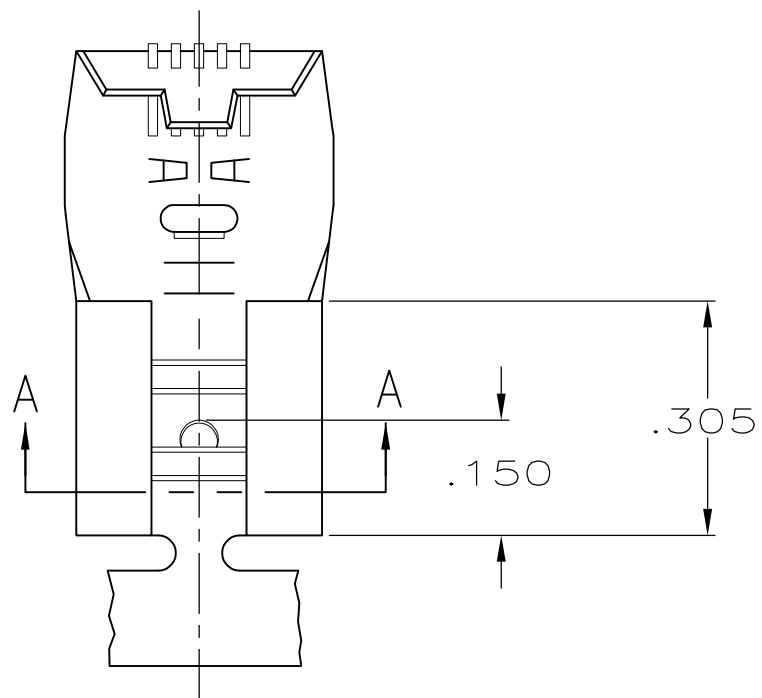
LOC
AF

DIST
50

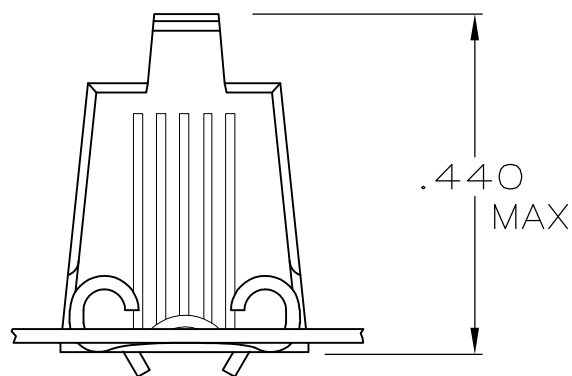
REVISIONS

P	LTR	DESCRIPTION	DATE	DWN	APVD
	J	REVISED PER ECR-12-013459	28NOV2012	KH	PD


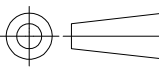
1 CONTINUOUS STRIP ON REELS.



FITS .250 SERIES FASTON TAB
SECTION A-A



12-10	.032 ±.001	TIN	BRASS	62022-2
12-10	.032 ±.001	SILVER	.018 PHOS. BRONZE	62022-1
WIRE SIZE	TAB THK	FINISH	MATERIAL	PART NO

THIS DRAWING IS A CONTROLLED DOCUMENT.		DWN JR RUTH 2/3/86	 TE Connectivity .250 SERIES FLAG FASTON RECEPTACLE							
DIMENSIONS: INCHES		CHK M FEHER 2/6/86				NAME				
		APVD C MEYERS 2/7/86				PRODUCT SPEC				
TOLERANCES UNLESS OTHERWISE SPECIFIED:		APPLICATION SPEC				RESTRICTED TO				
MATERIAL SEE TABLE		FINISH SEE TABLE		WEIGHT -	SIZE A3	CAGE CODE 00779	DRAWING NO C-62022	SCALE NTS	SHEET 1 OF 1	REV J
CUSTOMER DRAWING					SCALE NTS		SHEET 1 OF 1		REV J	